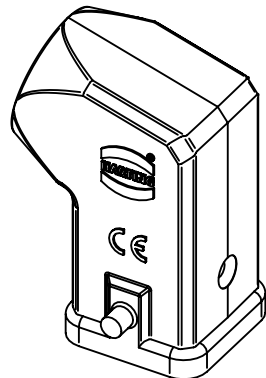
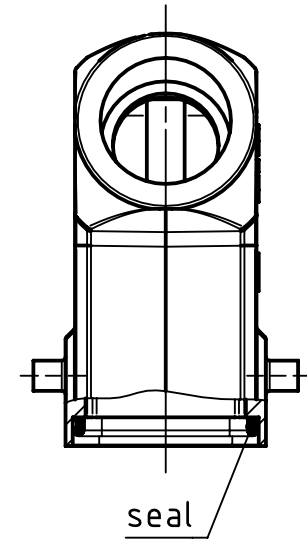
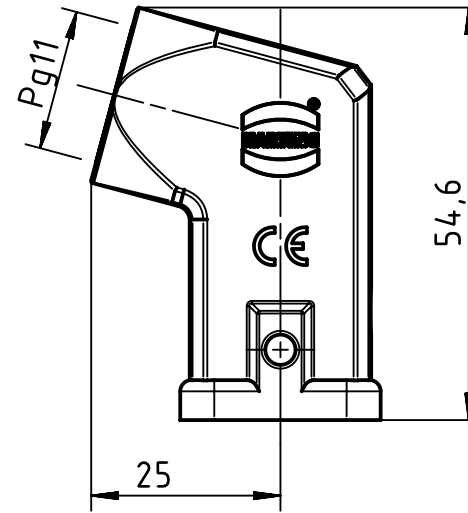
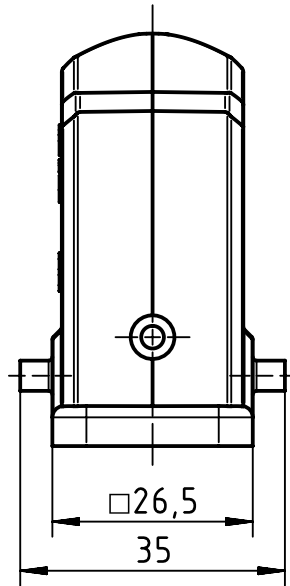
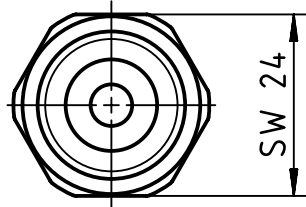
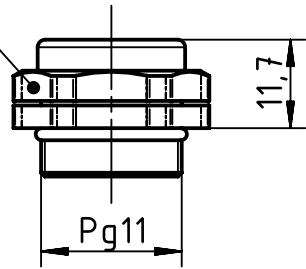


1 2 3 4 5 6

cable entry protection 09000005182  
is in range of delivery



with sealing

	All Dimensions in mm Original Size DIN A4		Scale 1:1	Free size tol.		Ref.
						Sub.
	All rights reserved		Created by 402602	Inspected by PRIESTER	Standardisation RUETERA	Date 2020-09-28
	Department EL PD					State Final Release
HARTING Electric GmbH & Co. KG D-32339 Espelkamp			Title Han 3A-gw-11-sw +gekl.Dicht.+Verschraub.			Doc-Key / ECM-Nr. 100087100/UGD/003/B 500000179980
			Type TB	Number 09 20 003 0626		Rev. B Page 1/1